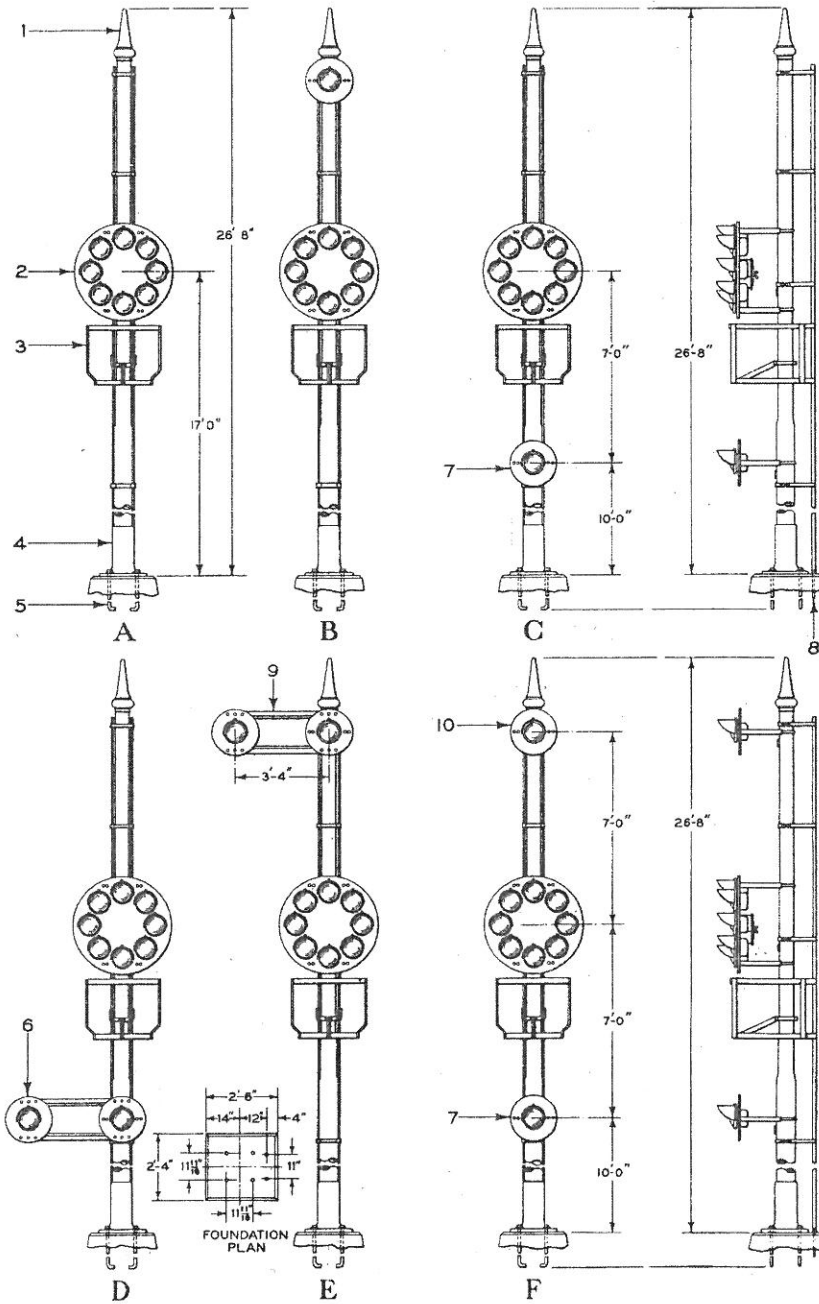


Section H, Part 35

Color-Position-Light Signals

*Copyright 1937, General Railway Signal Company
Printed in U. S. A.*



TYPE "U" COLOR-POSITION-LIGHT HIGH SIGNALS

FEB. 1937 **GENERAL RAILWAY SIGNAL COMPANY**

TYPE "U" COLOR-POSITION-LIGHT HIGH SIGNALS

NOTE: If signals of different height than those shown are required, order should so specify.

Signals will be equipped with 13.5 volt, 17 watt lamps unless otherwise specified. Anchor bolts are not included and must be ordered separately if required.

Drawing references are shown for convenience in checking shipping lists and invoices

Fig. No.	Name	Drawing Reference
Order by plate, figure number and name		
A	Type "U" Color-Position-Light High Signal Complete, without marker light. Order must specify the following:- 1 - Whether hot-spot or spreadlite lenses are required. 2 - See Plate H 3515 and specify indications required in signal head.	45906-100
B	Type "U" Color-Position-Light High Signal Complete, with clear top marker. Order must specify the following:- 1 - Whether hot-spot or spreadlite lenses are required in marker and signal units. 2 - See Plate H3515 and specify indications required in signal head.	45906-100
C	Type "U" Color-Position-Light High Signal Complete, with clear bottom marker light. Order must specify the following:- 1 - Whether hot-spot or spreadlite lenses are required in marker and signal units. 2 - See Plate H 3515 and specify indications required in signal head.	45906-100
D	Type "U" Color-Position-Light High Signal Complete, with clear bottom marker and clear left staggered bottom marker lights. Order must specify the following:- 1 - Whether hot-spot or spreadlite lenses are required in markers and signal units. 2 - See Plate H 3515 and specify indications required in signal head.	45906-100

PLATE H3501

GENERAL RAILWAY SIGNAL COMPANY

FEB. 1937

TYPE "U" COLOR-POSITION-LIGHT HIGH SIGNALS

Drawing references are shown for convenience in checking shipping lists and invoices

Fig. No.	Name	Drawing Reference
Order by plate, figure number and name		
E	Type "U" Color-Position-Light High Signal Complete, with clear top marker and clear left staggered top marker lights. Order must specify the following:- 1 - Whether hot-spot or spreadlite lenses are required in marker and signal units. 2 - See Plate H 3515 and specify indications required in signal head.	45906-100
F	Type "U" Color-Position-Light High Signal Complete, with clear top and bottom marker lights. Order must specify the following:- 1 - Whether hot-spot or spreadlite lenses are required in marker and signal units. 2 - See Plate H 3515 and specify indications required in signal head.	45906-100
1	Pinnacle, as shown, for 5" pipe.	31602
2	Signal Head Complete, for details and order references see Plate H 3515.	
3	Ladder Complete, for details and order references see Plate H 3525.	
4	Pole and Base, for details and order references see Plate H 3525.	
5	Hook Bolt Complete, 1" x 3 ft. long, with nut and washer, for fastening base to foundation.	{10270 Gr 1 074
6	Marker Light Complete, left staggered, for 6" pipe, for details and order references see Plate H 3523 Figs. C ₁ and D ₁ .	54350-8
7	Marker Light Complete, single, for 6" pipe, for details and order references see Plate H 3523 Figs. A ₁ and B ₁ .	54350-1

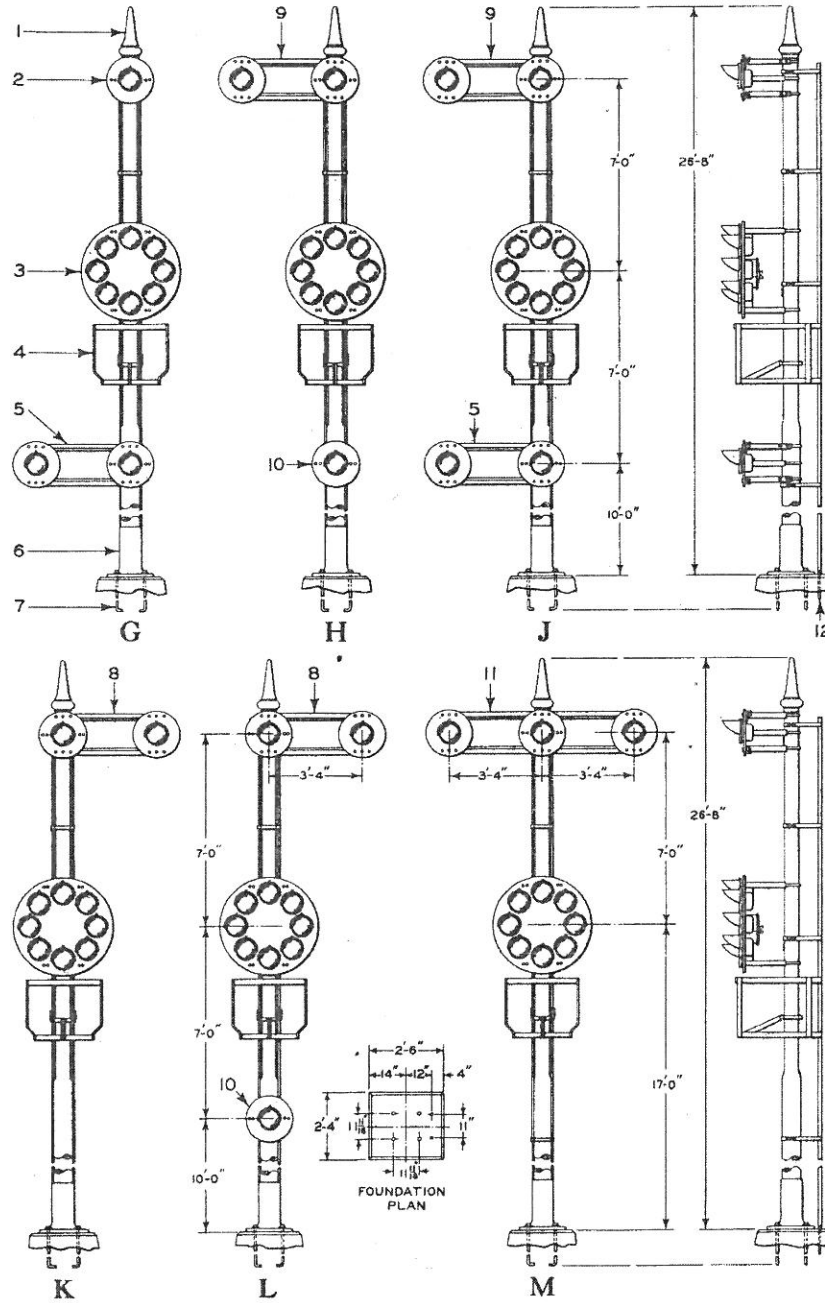
FEB. 1937

GENERAL RAILWAY SIGNAL COMPANY

TYPE "U" COLOR-POSITION-LIGHT HIGH SIGNALS

Drawing references are shown for convenience in checking shipping lists and invoices

Fig. No.	Name	Drawing Reference
Order by plate, figure number and name		
8	Hook Bolt Complete 1" x 12 1/2" long, with nut and washer, for fastening ladder to foundation.	16642 Gr 3 072
9	Marker Light Complete, left staggered, for 5" pipe, for details and order references see Plate H 3523 Figs. C and D.	
10	Marker Light, single, for 5" pipe, for details and order references see Plate H 3523 Figs. A and B.	54350-1



TYPE "U" COLOR-POSITION-LIGHT HIGH SIGNALS

PLATE H3503

FEB. 1937

GENERAL RAILWAY SIGNAL COMPANY

TYPE "U" COLOR-POSITION-LIGHT HIGH SIGNALS

NOTE: If signals of different height than those shown are required, order should so specify.

Signals will be equipped with 13.5 volt, 17 watt lamps unless otherwise specified. Anchor bolts are not included and must be ordered separately if required.

Drawing references are shown for convenience in checking shipping lists and invoices

Fig. No.	Name	Drawing Reference
Order by plate, figure number and name		
G	Type "U" Color-Position-Light High Signal Complete, with clear top and bottom marker lights and clear left staggered bottom marker light. Order must specify the following: 1 - Whether hot-spot or spreadlite lenses are required in marker and signal units. 2 - See Plate H 3515 and specify indications required in signal head.	45906-100
H	Type "U" Color-Position-Light High Signal Complete, with clear top and bottom marker lights and clear left staggered top marker light. Order must specify the following: 1 - Whether hot-spot or spreadlite lenses are required in marker and signal units. 2 - See Plate H 3515 and specify indications required in signal head.	45906-100
J	Type "U" Color-Position-Light High Signal Complete, with clear top and bottom marker lights and clear top and bottom left staggered marker lights. Order must specify the following: 1 - Whether hot-spot or spreadlite lenses are required in marker and signal units. 2 - See Plate H 3515 and specify indications required in signal head.	45906-100
K	Type "U" Color-Position-Light High Signal Complete, with clear top marker light and yellow right staggered top marker light. Order must specify the following: 1 - Whether hot-spot or spreadlite lenses are required in markers and signal units. 2 - See Plate H 3515 and specify indications required in signal head.	45906-100

PLATE H3503

GENERAL RAILWAY SIGNAL COMPANY

FEB. 1937

TYPE "U" COLOR-POSITION-LIGHT HIGH SIGNALS

Drawing references are shown for convenience in checking shipping lists and invoices

Fig. No.	Name	Drawing Reference
Order by plate, figure number and name		
L	Type "U" Color-Position-Light High Signal Complete, with clear top and bottom marker lights and yellow right staggered top marker light. Order must specify the following: 1 - Whether hot-spot or spreadlite lenses are required in marker and signal units. 2 - See Plate H 3515 and specify indications required in signal head.	45906-100
M	Type "U" Color-Position-Light High Signal Complete, with clear top center and left staggered marker lights and yellow right staggered top marker lights. Order must specify the following: 1 - Whether hot-spot or spreadlite lenses are required in marker and signal units. 2 - See Plate H 3515 and specify indications required in signal head.	45906-100
1	Pinnacle, as shown, for 5" pipe.	31602
2	Marker Light Complete, single, for 5" pipe, for details and order references see Plate H 3523 Figs. A and B.	54350-1
3	Signal Head Complete, for details and order references see Plate H 3515.	
4	Ladder Complete, for details and order references see Plate H 3525.	
5	Marker Light Complete, left staggered, for 6" pipe, for details and order references see Plate H 3523 Figs. C ₁ and D ₁ .	54350-8
6	Pole and Base, for details and order references see Plate H 3525.	
7	Hook Bolt Complete, 1" x 3 ft. long, with nut and washer, for fastening base to foundation.	{ 10270 Gr 1 074

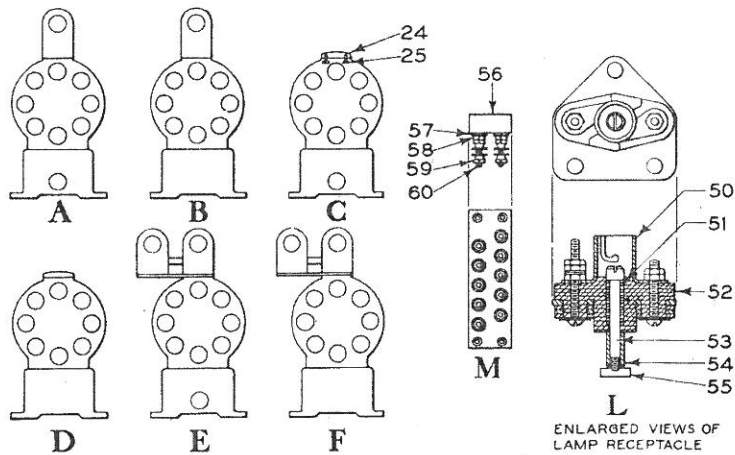
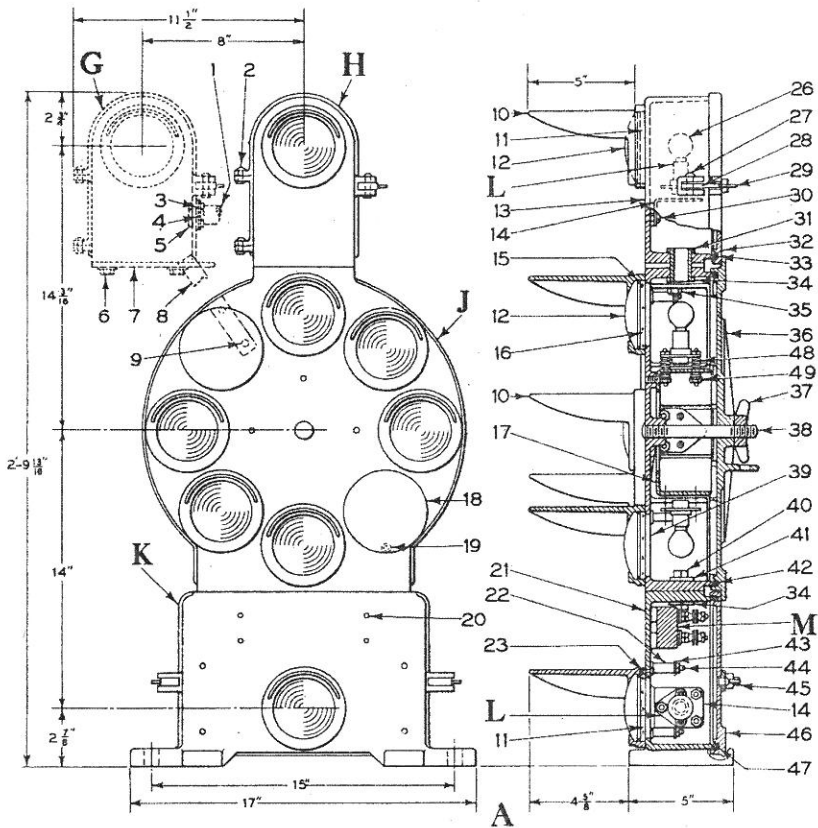
FEB.1937

GENERAL RAILWAY SIGNAL COMPANY

TYPE "U" COLOR-POSITION-LIGHT HIGH SIGNALS

Drawing references are shown for convenience in checking shipping lists and invoices

Fig. No.	Name	Drawing Reference
Order by plate, figure number and name		
8	Marker Light Complete, right staggered, for 5" pipe, for details and order references see Plate H 3523 Figs. E and F.	54350-12
9	Marker Light Complete, left staggered, for 5" pipe, for details and order references see Plate H 3523 Figs. C and D.	54350-8
10	Marker Light Complete, single, for 6" pipe, for details and order references see Plate H 3523 Figs. A ₁ and B ₁ .	54350-1
11	Marker Light Complete, three unit, for 5" pipe, for details and order references see Plate H 3523 Figs. G and H.	54350-13
12	Hook Bolt Complete, 1" x 12 1/2" long, with nut and washer, for fastening ladder to foundation.	{16642 Gr 3 {072



TYPE "V" COLOR-POSITION-LIGHT DWARF SIGNALS

FEB. 1937

GENERAL RAILWAY SIGNAL COMPANY

TYPE "V" COLOR-POSITION-LIGHT DWARF SIGNALS

NOTE: Signals will be equipped with 13.5 volt, 17 watt lamps unless otherwise specified.

Drawing references are shown for convenience in checking shipping lists and invoices

Fig. No.	Name	Drawing Reference
Order by plate, figure number and name		
A	Type "V" Size 8, Color-Position-Light Dwarf Signal Complete, with clear indication top and bottom marker lights. See Plate H 3515 and specify indications required in signal head.	54360-2 Gr 1
B	Type "V" Size 8, Color-Position-Light Dwarf Signal Complete, with clear indication top marker light. See Plate H 3515 and specify indications required in signal head.	54360-2 Gr 3
C	Type "V" Size 8, Color-Position-Light Dwarf Signal Complete, with clear indication, bottom marker light. See Plate H 3515 and specify indications required in signal head	54360-2 Gr 2
D	Type "V" Size 8, Color-Position-Light Dwarf Signal Complete, without marker lights. See Plate H 3515 and specify indications required in signal head.	54360-2 Gr 4
E	Type "V" Size 8, Color-Position-Light Dwarf Signal Complete, with two clear indication, top marker lights, and clear indication bottom marker light. See Plate H 3515 and specify indications required in signal head.	54360-2 Gr 5
F	Type "V" Size 8, Color-Position-Light Dwarf Signal Complete, with two, clear indication top marker lights. See Plate H 3515 and specify indications required in signal head	54360-2 Gr 6
G	Type "V" Marker Light Complete, clear indication. Has hole in right side of case for connecting to marker Fig. H ₁ as left staggered marker, for signals Figs. E and F.	54356-1 Gr 2

PLATE H3509

GENERAL RAILWAY SIGNAL COMPANY

FEB. 1937

TYPE "V" COLOR-POSITION-LIGHT DWARF SIGNALS

Drawing references are shown for convenience in checking shipping lists and invoices

Fig. No.	Name	Drawing Reference
Order by plate, figure number and name		
H	Type "V" Marker Light Complete, clear indication, for signals Figs. A and B.	54356-1 Gr 1
H1	as above, except has hole in left side of case for connecting to marker Fig. G, for signals Figs. E and F.	54356-1 Gr 3
J	Signal Head Complete, for use with signals Figs. A, B, C, D, E and F. See Plate H 3515 and specify indications required.	54361-1
K	Case Complete, for use as bottom marker light, clear indication, for signals Figs. A, C and E.	54369-1 Gr 1
K1	as above, except without indication, for signals Figs. B, D and F.	54369-1 Gr 2
L	Lamp Receptacle Complete, for signal head & marker lights.	53058-10 Gr 1
M	Terminal Block Complete, as shown, for case Fig. K.	46048-16 Gr 1
1	Conduit, 1/2" x 3 5/8", for use between marker lights as shown in Figs. E and F.	46190-30
2	Rivet, 1/4" x 11/16", hinge pin for doors on marker lights.	0791-1
3	Rubber Washer, for use between case and washer, Fig. 4.	1333-9
4	Washer, for use between rubber washer and nut, Fig. 5.	626-81
5	Lock Nut, T & B, for conduit Fig. 1.	27589
6	Screw, 5/16"-18 x 3/4" hex. hd., for fastening marker light Fig. G to plate Fig. 7.	0441-3
7	Plate, support for marker light Fig. G.	41885-27

FEB. 1937

GENERAL RAILWAY SIGNAL COMPANY

TYPE "V" COLOR-POSITION-LIGHT DWARF SIGNALS

Drawing references are shown for convenience in checking shipping lists and invoices

Fig. No.	Name	Drawing Reference
Order by plate, figure number and name		
8	Locking Strap, for locking door on marker light Fig. G.	51432-50
9	Rivet, 3/16" x 1/2" rd. hd., for fastening strap Fig. 8 to case of signal head.	0204
10	Hood, for signal units.	49127-47
11	Roundel, clear frosted, for marker light.	9238-54
12	Lens, clear, 3 1/2" dia. for signal units.	46762-1
13	Case, only, for marker light Fig. H.	53071-12
13a	as above, except for marker light Fig. H1.	53071-18
13b	same as Fig. 13, except for marker light Fig. G.	53071-17
14	Bracket, for supporting receptacle.	53170-8
15	Wicking, for roundels and lenses.	47562-1
16	Roundel, inner 3 1/2" dia., green.	9238-55
16a	as above, except red.	9238-57
16b	same as Fig. 16, except yellow.	9238-56
16c	same as Fig. 16, except lunar white.	9238-58
17	Support, for lamp receptacle, for signal head Fig. J.	54363-1
18	Disc, for covering vacant light spaces.	39719-20
19	Screw, No. 8-32 x 3/8" fil. hd., for fastening disc to case.	55160-9
20	Screw, No. 10-32 x 1 1/4" fil. hd., for fastening block Fig. M to case.	12563-26
21	Case, only, for case Fig. K.	53071-11

PLATE H3509

GENERAL RAILWAY SIGNAL COMPANY

FEB. 1937

TYPE "V" COLOR-POSITION-LIGHT DWARF SIGNALS

Drawing references are shown for convenience in checking shipping lists and invoices

Fig. No.	Name	Drawing Reference
	Order by plate, figure number and name	
22	Fibre Bushing, for cases.	47495-8
23	Screw, No. 8-32 x 5/8" fl. hd., for fastening hoods to cases.	55160-1
24	Cover, for signal head, for use when top marker light is omitted.	45571-16
25	Screw, 5/16"-18 x 3/4" hex. hd., for fastening cover to case.	0441-3
26	Incandescent Lamp, 13.5 volt, 17 watts, for signal.	34866-25
27	Rivet, 1/4" x 1" rd. hd., for fastening eyebolt to case.	0869
28	Eyebolt, 3/8"-16 for cover.	39319-20
29	Wing Nut, 3/8"-16 for eyebolt.	10117
30	Screw, 5/16"-18 x 5/8" rd. hd., for fastening supports Fig. 14 and 17 to case.	2572-4
31	Fibre Bushing, for use between marker light and signal head, for Figs. E and F only.	36710-3
32	Door, only, for marker light.	36727-46
33	Gasket, 23 1/4" lg., for door Fig. 32.	47436
34	Lock Nut, 3/4"-14 for bushings Figs. 31 and 41.	0826
35	Screw, 5/16"-18 x 1 1/2" hex. hd., with lock washer, for fastening marker light to signal head, for Figs. E and F only.	{2878 53029-5
35a	as above, except 1 3/8" lg., for fastening marker light to signal head, for Figs. A and B.	{3440-4 53029-5
36	Door, only, for signal head Fig. J.	36727-47

FEB. 1937

GENERAL RAILWAY SIGNAL COMPANY

TYPE "V" COLOR-POSITION-LIGHT DWARF SIGNALS

Drawing references are shown for convenience in checking shipping lists and invoices

Fig. No.	Name	Drawing Reference
Order by plate, figure number and name		
37	Wing Nut, for signal head.	10118-5
38	Stud, for fastening door to case.	980-36
39	Case, only, for signal head.	53071-13
40	Bolt, 1/2"-13 x 1 1/4" sq. hd., with sq. nut, for fastening signal case to case Fig. K.	077-1
41	Fibre Bushing, for use between signal case and case Fig. K, also for use between marker light and signal case in Figs. A and B.	36710-2
42	Gasket, 4'-4" lg., for door Fig. 36.	47436
43	Fibre Washer, for bushing.	684
44	Screw, No. 8-32 x 1 3/8" fl. hd., with hex. nut and washer, for fastening bushing Fig. 22 to cases.	{ 35042-6 3891-1 3890
45	Eyebolt, 3/8"-16, for case Fig. K.	39319-19
46	Door Complete, for case Fig. K.	53057-4 Gr 1
47	Gasket, 3'-3" lg., for door Fig. 46.	47436
48	Spring, for mounting receptacle.	586-32
49	Nut, No. 10-32, with lock nut, for screw on receptacle.	{ 3605 40796
50	Receptacle, only, for lamp.	34864-13
51	Spring, for plunger Fig. 53.	786-64
52	Block, for receptacle.	53091-2
53	Plunger, for receptacle.	53107-3
54	Bushing, for plunger Fig. 53.	47495-9

PLATE H3509

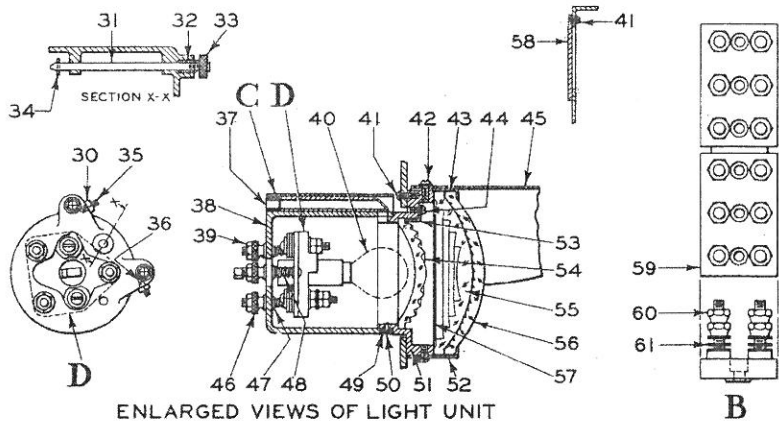
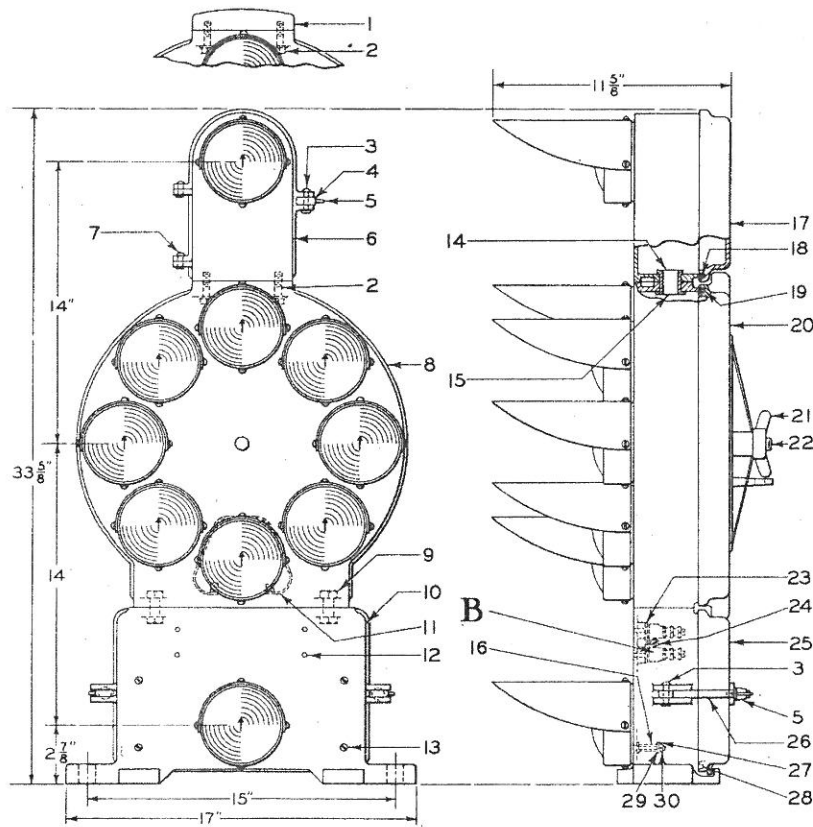
GENERAL RAILWAY SIGNAL COMPANY

FEB. 1937

TYPE "V" COLOR-POSITION-LIGHT DWARF SIGNALS

Drawing references are shown for convenience in checking shipping lists and invoices

Fig. No.	Name	Drawing Reference
Order by plate, figure number and name		
55	Terminal, for plunger Fig. 53.	53108
56	Block, only, for terminal block.	43716-24
57	Washer, for terminal posts.	1225-2
58	Nut, No. 14-24 hex., for terminal posts.	46989-2
59	Nut, No. 14-24 x 5/16" hex., for terminal posts.	42843-1
60	Screw, No. 14-24 x 1 3/4" sq. hd., for terminal block.	350-5



TYPE "VA" COLOR-POSITION-LIGHT DWARF SIGNALS

AUG. 1939

GENERAL RAILWAY SIGNAL COMPANYTYPE "VA" COLOR-POSITION-LIGHT DWARF SIGNAL
With Doublet Lens and Focus Finders

NOTE: This plate is included for ordering parts only for signal 54360-3. When ordering complete signals, order should refer to B & O plan 190-R-1.

Drawing references are shown for convenience in checking shipping lists and invoices

Fig. No.	Name	Drawing Reference
Order by plate, figure number and name		
B	Terminal Block Complete.	46048-23 Gr 1
C	Receptacle Unit Complete, for signal, includes the following parts: 1-D, 2-30, 1-31, 1-32, 1-33, 1-34, 2-35, 2-36, 2-37, 1-38, 3-39, 3-46, 3-47, and 3-48. Does not include lamp which must be ordered separately.	56895 Gr 2
D	Lamp Receptacle Complete, for receptacle unit Fig. C. For details and order references, see Plate H3509, Fig. L.	53058-10 Gr 1
1	Cover, for signal head, for use when top marker light is omitted.	45571-16
2	Screw, 5/16"-18 x 1-1/4" hex. hd., with lock washer, for fastening cover Fig. 1 and marker case to main case.	0712-3 53029-5
3	Rivet, 1/4" x 1" rd. hd., for fastening eye-bolts Figs. 4 and 26 to cases.	0869
4	Eye-bolt, 3/8"-16, for case Fig. 6.	39319-20
5	Wing Nut, 3/8"-16, for eye-bolts Figs. 4 and 26.	10117
6	Case, only, for top marker light.	53071-25
7	Rivet, 1/4" x 11/16" rd. hd., hinge pin for door Fig. 17.	0791-1

PLATE H3511

GENERAL RAILWAY SIGNAL COMPANY

AUG. 1939

TYPE "VA" COLOR-POSITION-LIGHT DWARF SIGNAL
With Doublet Lens and Focus Finders

Drawing references are shown for convenience in checking shipping lists and invoices

Fig. No.	Name	Drawing Reference
	Order by plate, figure number and name	
8	Case, only, for signal head.	53071-26
9	Bolt, 1/2"-13 x 1-1/4" sq. hd., with sq. nut, for fastening main case to lower case.	077-1
10	Case, for lower marker light.	53071-24
11	Guide, for wire.	56893
12	Screw, No. 10-32 x 1/2" fl. hd., for fastening strap Fig. 23 to case.	2602-15
13	Screw, No. 8-32 x 1-1/2" fl. hd., for fastening bushings Fig. 16 to case.	35042-25
14	Bushing, for use between cases.	36710-2
15	Lock Nut, 3/4"-14 for bushing Fig. 14.	0826
16	Bushing, insulation for field wires.	47495-8
17	Door, only, for top marker light.	36727-53
18	Gasket, 23-1/4" lg. for door Fig. 17.	47436
19	Gasket, 4'-4" lg., for door Fig. 20.	47436
20	Door, for signal head.	36727-52
21	Wing Nut, 5/8"-11, for stud Fig. 22.	10118-5
22	Stud, 5/8"-11, for signal head.	980-59
23	Strap, for mounting terminal block.	51432-52

PLATE H3511

AUG. 1939

GENERAL RAILWAY SIGNAL COMPANY

TYPE "VA" COLOR-POSITION-LIGHT DWARF SIGNAL
With Doublet Lens and Focus Finders

Drawing references are shown for convenience in checking shipping lists and invoices

Fig. No.	Name	Drawing Reference
	Order by plate, figure number and name	
24	Screw, No. 10-32 x 1/2" fl. hd., with lock washer, for fastening terminal block to strap Fig. 23.	12563-1 53029-7
25	Door, only, for lower marker light.	53057-5 Gr 1
26	Eye-bolt, 3/8"-16, for lower marker light.	39319-33
27	Washer, for nut Fig. 30.	3890
28	Gasket, 3'-4" lg., for door Fig. 25.	47436
29	Washer, fibre, for bushing Fig. 16.	684
30	Nut, No. 8-32 x 1/8" th., for screws Figs. 13 and 35.	3891-1
31	Pin, for receptacle unit latch.	1478-2
32	Spring, for nut Fig. 33.	786-64
33	Knurled Nut, No. 10-32, for pin Fig. 31.	846-37
34	Pin, .064" dia. x 3/8" lg., for pin Fig. 31.	2644-18
35	Set Screw, No. 8-32 x 7/16", for locking focus finders Fig. 37.	5100-32
36	Ball, for set screw Fig. 35.	36126-4
37	Focus Finder Complete, for receptacle unit.	51120-4 Gr 1
38	Holder, only, for receptacle unit.	56891
39	Nut, No. 10-32 x 3/8" hex., for locking knurled nut Fig. 46 in place.	40796

PLATE H3511

GENERAL RAILWAY SIGNAL COMPANY

AUG. 1939

TYPE "VA" COLOR-POSITION-LIGHT DWARF SIGNAL
With Doublet Lens and Focus Finders

Drawing references are shown for convenience in checking shipping lists and invoices

Fig. No.	Name	Drawing Reference
Order by plate, figure number and name		
40	Incandescent Lamp, 13.5 volts, 17 watts.	34866-25
41	Screw, No. 8-32 x 5/16" rd. hd., with lock washer, for fastening bezel ring Fig. 51 to case, also for fastening blanking disc Fig. 58 to case.	2553-9 53029-4
42	Screw, No. 10-32 x 3/8", rd. hd., with lock washer, for fastening hood and ring Fig. 52 to bezel ring Fig. 51.	2438-12 0622-1
43	Gasket, for roundel and lens.	13014-188
44	Screw, No. 6-32 x 1/4", rd. hd., with lock washer, for fastening clip Fig. 53 to bezel ring Fig. 51.	2613-1 53029-1
45	Hood, for light units.	49127-51
46	Knurled Nut, No. 10-32, for adjusting lamp receptacle.	3605
47	Washer, for springs Fig. 48.	5046-6
48	Spring, for lamp receptacle.	586-32
49	Guide, for positioning receptacle unit on bezel ring Fig. 51.	32518-2
50	Escutcheon Pin, No. 16 x 1/2" for fastening guide Fig. 49 to bezel ring.	0677
51	Bezel Ring, as shown, for receptacle unit.	43983-71
52	Bezel Ring, for roundel and lens.	56904

PLATE H3511

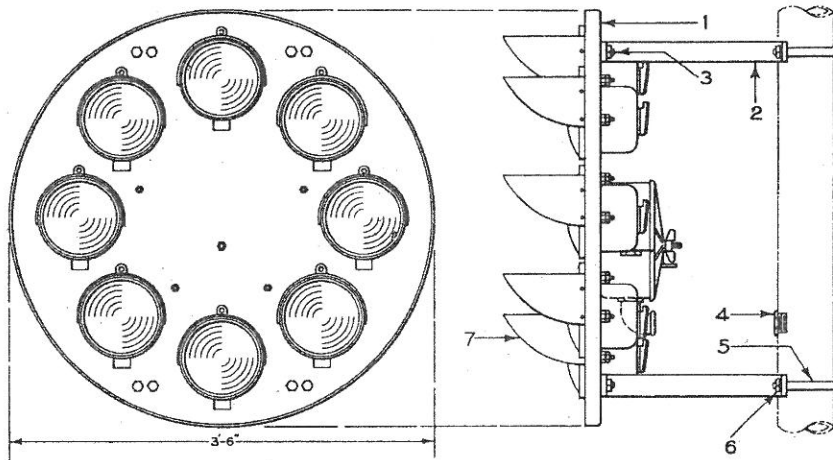
AUG. 1939

GENERAL RAILWAY SIGNAL COMPANY

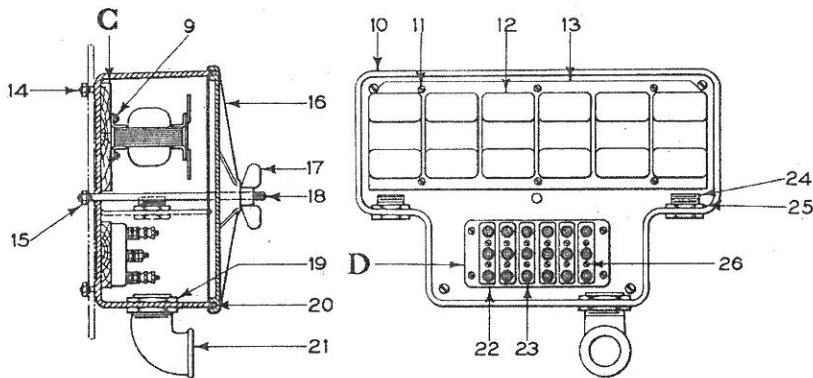
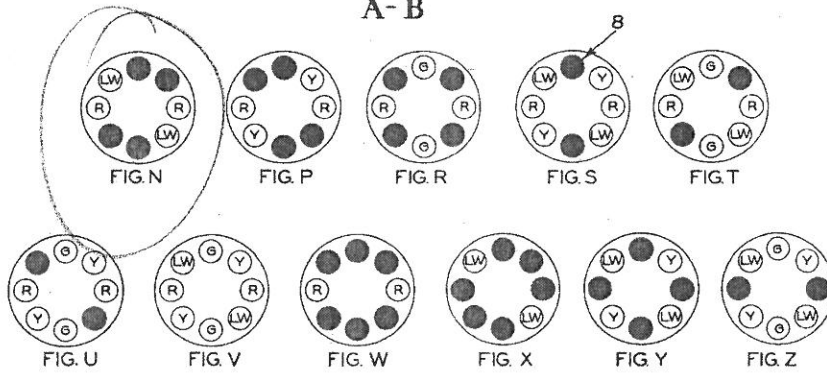
TYPE "VA" COLOR-POSITION-LIGHT DWARF SIGNAL
With Doublet Lens and Focus Finders

Drawing references are shown for convenience in checking shipping lists and invoices

Fig. No.	Name	Drawing Reference
Order by plate, figure number and name		
53	Clip, for fastening inner doublet lens to bezel ring.	53721-26
54	Inner Doublet Lens, 2-3/4" dia., green.	56901
54a	as above, except yellow.	56901-1
54b	same as Fig. 54, except red.	56901-2
54c	same as Fig. 54, except lunar white.	56901-3
54d	same as Fig. 54, except clear.	56901-5
55	Outer Doublet Lens 4" dia., for lens unit.	56902
56	Roundel, 4" dia., for lens unit.	9238-78
57	Disc, Wire Gauze, for use in marker lights only.	48885-2
58	Disc, for blanking out light spaces not used.	39719-20
59	Block Complete, with terminal posts only.	5971-19 Gr 1
60	Nut, No. 14-24 x 5/16" hex., for terminal posts.	42843-1
61	Washer, for terminal posts.	1225-2



A-B



ENLARGED VIEWS OF JUNCTION BOX

TYPE "U" COLOR-POSITION-LIGHT SIGNAL HEADS

FEB. 1937

GENERAL RAILWAY SIGNAL COMPANY

TYPE "U" COLOR-POSITION-LIGHT SIGNAL HEADS

NOTE: Figs. N to Z shown on opposite page correspond to B & O Standard Assemblies as follows:

- | | |
|---|---|
| Fig. N - Figs. 1-9-16-24 | Fig. V - Figs. 7-15-22-30-33
36-39-42-45 |
| Fig. P - Figs. 2-10-17-25 | Fig. W - Figs. 8-23-49-50 |
| Fig. R - Figs. 3-11-18-26 | Fig. X - Fig. 46 |
| Fig. S - Figs. 4-12-19-27 | Fig. Y - Fig. 47 |
| Fig. T - Figs. 5-13-20-28-31
34-37-40-43 | Fig. Z - Fig. 48 |
| Fig. U - Figs. 6-14-21-29-32
35-38-41-44 | |

Light Units will be equipped with 13.5 volt, 17 watt lamps unless otherwise specified.

Drawing references are shown for convenience in checking shipping lists and invoices

Fig. No.	Name	Drawing Reference
	Order by plate, figure number and name	
A	Type "U" Size 8, Color-Position-Light Signal Head Complete. Light units are equipped with hot-spot lenses. See small sketches in center of opposite page and specify indications required.	54350
B	Type "U" Size 8, Color-Position-Light Signal Head Complete. Light units are equipped with spreadlite lenses. See small sketches in center of opposite page and specify indications required.	54350
C	Board Complete, as shown, with six transformers.	54352 Gr 6
C1	as above, except with five transformers.	54352 Gr 5
C2	same as Fig. C, except with four transformers.	54352 Gr 4
C3	same as Fig. C, except with three transformers.	54352 Gr 3
C4	same as Fig. C, except with two transformers	54352 Gr 2
C5	same as Fig. C, except with one transformer.	54352 Gr 1

FEB. 1937

GENERAL RAILWAY SIGNAL COMPANY

TYPE "U" COLOR-POSITION-LIGHT SIGNAL HEADS

Drawing references are shown for convenience in checking shipping lists and invoices

Fig. No.	Name	Drawing Reference
Order by plate, figure number and name		
10	Junction Box, only, cast iron, for signal unit, does not include door.	54575-3
10a	as above, except for use when transformers are not used.	54575-4
11	Screw, No. 10-32 x 3/4" rd. hd., for fastening board Fig. C in junction box.	4423-1
12	Transformer, Type S1, for junction box.	53715-1 Gr 1
13	Board, only, for board Fig. C.	39964-281
14	Screw, 1/4"-20 x 7/8" rd. hd., with hex. nut and washer, for fastening junction box to background.	{ 15287-13 424-2 53029-8
15	Nut, 3/8"-24 x 1/4" hex., with lock washer, for stud Fig. 18.	{ 52822-6 53029-10
16	Door, only, for junction box.	36727-32
17	Wing Nut, 1/2"-13 for stud Fig. 18.	10118-3
18	Stud, 3/8"-24, for junction box.	441-246
19	Lock Nut, T & B, 1 1/2", for elbow.	0827
20	Gasket, for door.	13014-53
21	Elbow, 1 1/2", 90 degree, wire inlet, for junction box.	35132-14
22	Board, only, for terminal board Fig. D.	54220-84
23	Terminal Block only, for terminal board.	46048-8 Gr 5
24	Chase Nipple 1", wire inlet for junction box.	12249
25	Lock Nut, T & B, 1" for nipple Fig. 24.	0359
26	Wood Screw, No. 10 x 7/8" rd. hd., for mounting terminal blocks to terminal board.	0631-7

PLATE H3515

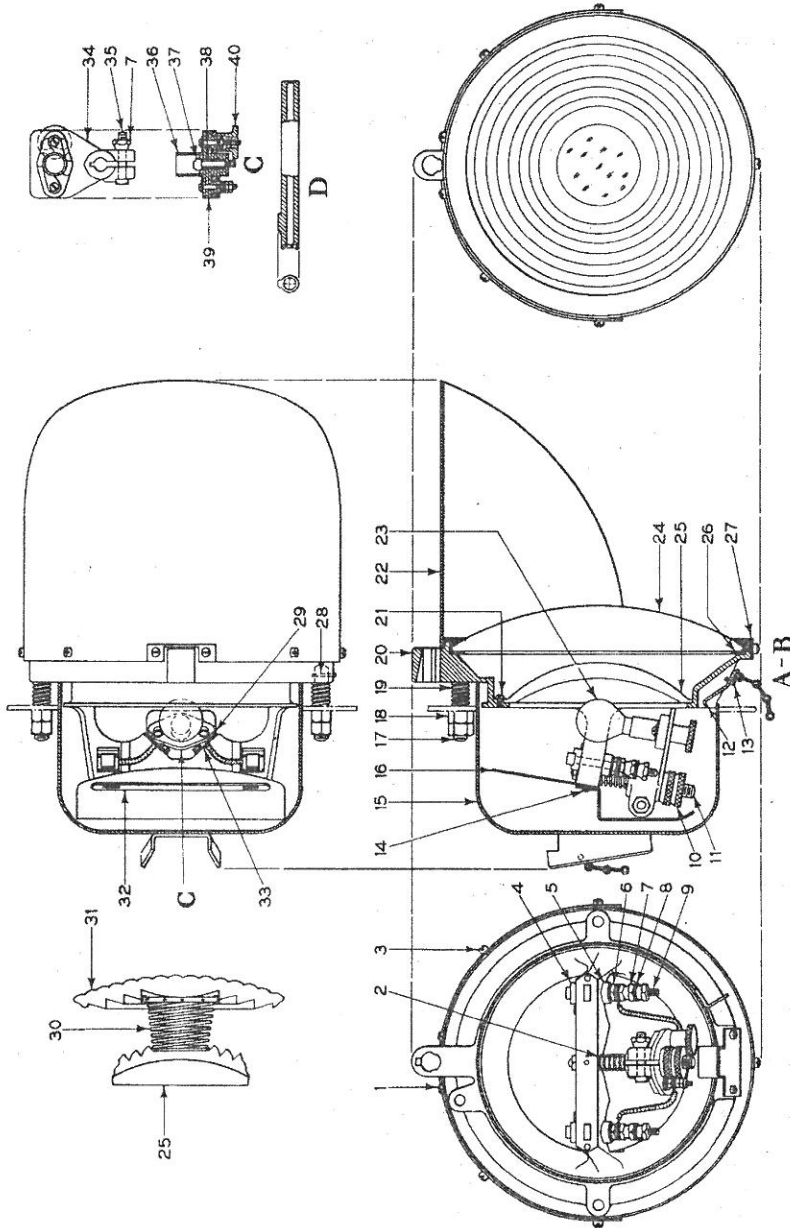
GENERAL RAILWAY SIGNAL COMPANY

FEB. 1937

TYPE "U" COLOR-POSITION-LIGHT SIGNAL HEADS

Drawing references are shown for convenience in checking shipping lists and invoices

Fig. No.	Name	Drawing Reference
	Order by plate, figure number and name	
D	Terminal Board Complete, as shown, with six terminal blocks.	52292-30 Gr 6
D1	as above, except with five terminal blocks.	52292-30 Gr 5
D2	same as Fig. D, except with four terminal blocks.	52292-30 Gr 4
D3	same as Fig. D, except with three terminal blocks.	52292-30 Gr 3
D4	same as Fig. D, except with two terminal blocks.	52292-30 Gr 2
D5	same as Fig. D, except with one terminal block.	52292-30 Gr 1
1	Background Complete, includes locking clips welded to background.	54351 Gr 1
2	Bracket, for mounting signal to 5" pipe.	40539-15
3	Tap Bolt, 1/2"-13 x 1 1/4" hex. hd., with hex. nut, for fastening bracket Fig. 2 to background.	{ 0641-1 26747
4	Chase Nipple, 1 1/2", for wire entrance in pipe.	39998
5	"U" Bolt, 5/8"-11, for bracket Fig. 2.	16194-7
6	Nut, 5/8"-11 x 5/8" hex., with lock washer, for "U" bolt, Fig. 5.	{ 41993 0113
7	Hood, for light units.	49127-40
8	Disc, for blanking vacant lamp spaces in background, includes screw, nut and washers.	{ 39719-16 13006 6471 4344-1 0622
9	Screw, No. 8-32 x 3/4" fl. hd., with hex. nut, for fastening transformers to board.	{ 29558 3891



TYPE U COLOR-POSITION-LIGHT SIGNAL UNITS

FEB. 1937

GENERAL RAILWAY SIGNAL COMPANY

TYPE "U" COLOR-POSITION-LIGHT UNITS

NOTE: Signal Units will be equipped with 13.5 volt, 17 watt lamps, unless otherwise specified.

Drawing references are shown for convenience in checking shipping lists and invoices

Fig. No.	Name	Drawing Reference
	Order by plate, figure number and name	
A	Type "U" Color-Position-Light Unit Complete, equipped with 8 3/8" dia. outer doublet hot-spot lens and 5 1/2" dia. inner doublet green lens.	49101-4 Gr 1
A1	as above, except equipped with yellow inner lens.	49101-4 Gr 2
A2	same as Fig. A, except equipped with red inner lens.	49101-4 Gr 3
A3	same as Fig. A, except equipped with lunar white inner lens.	49101-4 Gr 4
A4	same as Fig. A, except equipped with clear frosted inner lens.	49101-4 Gr 5
B	Type "U" Color-Position-Light Unit Complete equipped with 8 3/8" dia. outer doublet 30 degree spreadlite lens and 5 1/2" dia. inner doublet green lens.	49101-4 Gr 7
B1	as above, except equipped with yellow inner lens.	49101-4 Gr 8
B2	same as Fig. B, except equipped with red inner lens.	49101-4 Gr 9
B3	same as Fig. B, except equipped with lunar white inner lens.	49101-4 Gr 10
B4	same as Fig. B, except equipped with clear frosted inner lens.	49101-4 Gr 11
C	Receptacle Complete, as shown, for signal unit.	53058-9 Gr 1
D	Sighting Device Complete, for aligning signal units on track.	51120-3 Gr 1

PLATE H3519

GENERAL RAILWAY SIGNAL COMPANY

FEB. 1937

TYPE "U" COLOR-POSITION-LIGHT UNITS

Drawing references are shown for convenience in checking shipping lists and invoices

Fig. No.	Name	Drawing Reference
Order by plate, figure number and name		
1	Screw, No. 10-32 x 3/16" fil. hd., for fastening ring Fig. 27 to bezel ring Fig. 20.	0472-4
2	Spring, for stud Fig. 11.	786-121
3	Screw, No. 10-32 x 1/4" fil. hd., for fastening hood to bezel ring.	12280-1
4	Bushing, for screw Fig. 9.	7350-57
5	Bushing, for screw Fig. 9.	7350-58
6	Nut, No. 14-24 x 1/8" hex., for terminal posts.	46989-2
7	Nut, No. 14-24 x 5/16" hex., for terminal posts.	42843-1
8	Washer, for terminal posts.	1225-2
9	Screw, No. 14-24 x 2 7/16" sq. hd., used as terminal post.	350-9
10	Adjusting Nut, for light unit.	846-11
11	Stud, for adjusting light unit.	980-26
12	Plate, for closing opening in bottom of light unit.	35845-16
13	Screw, No. 8-32 x 3/8" fil. hd., for fastening plate Fig. 12 to light unit.	55160-9
14	Screw, No. 6-32 x 3/16" rd. hd., for fastening sighting strip Fig. 32 to shield Fig. 16.	2552-1
15	Cover Complete, includes clip and chain, for light unit.	54204 Gr 2
16	Shield, for light unit.	50737-10
17	Stud, 3/8"-16, for fastening light unit to background.	980-27

FEB. 1937

GENERAL RAILWAY SIGNAL COMPANY

TYPE "U" COLOR-POSITION-LIGHT UNITS

Drawing references are shown for convenience in checking shipping lists and invoices

Fig. No.	Name	Drawing Reference
Order by plate, figure number and name		
18	Nut, 3/8"-16 x 3/8" hex., for stud Fig. 17.	1156-2
19	Spring, for stud Fig. 17.	786-120
20	Bezel Ring, for light unit.	43983-57
21	Screw, No. 6-32 x 5/16" rd. hd., with clip, for fastening lens Fig. 25 to bezel ring.	{ 49356-1 18547-31
22	Hood, for light unit.	49127-40
23	Incandescent Lamp, 13.5 volt, 17 watts, for light unit.	34866-25
24	Lens, Outer doublet, hot-spot, 8 3/8" dia., 4" focus, for light units Fig. A to A4.	43987-12
25	Lens, inner doublet 5 1/2" dia., green, for light units.	43988
25a	as above, except yellow.	43988-1
25b	same as Fig. 25, except red.	43988-2
25c	same as Fig. 25, except lunar white.	43988-5
25d	same as Fig. 25, except clear, frosted.	43988-6
26	Gasket, for lenses Figs. 24 and 31.	13014-57
27	Bezel Ring, as shown, for light unit.	43983-58
28	Pin, 3/32" x 3/4", for locking stud Fig. 17 to bezel ring.	20642
29	Screw, No. 6-32 x 11/32" hex. hd., with washer, for fastening sighting plate, Fig. 33, to light unit.	{ 31999-1 40257-1
30	Roundel Complete, includes roundel, clip and spring assembled together, for light units Figs. B to B4 only.	55031 Gr 1

PLATE H3519

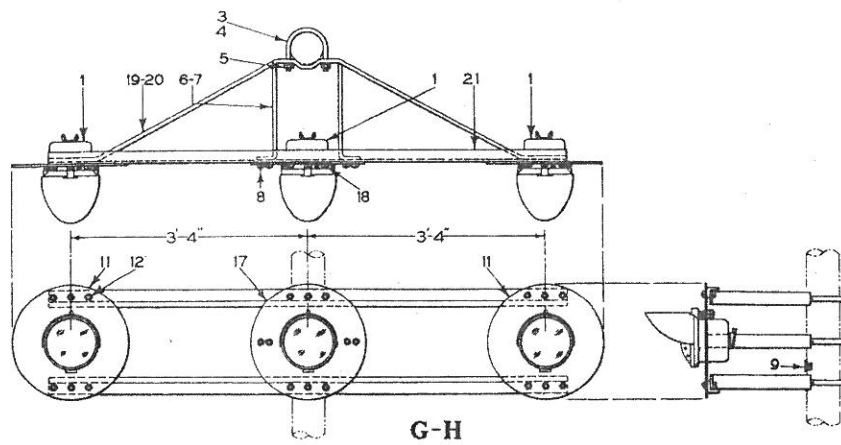
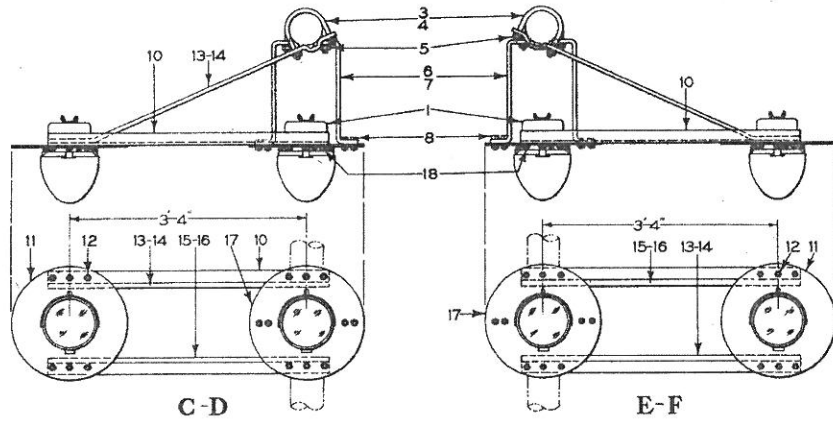
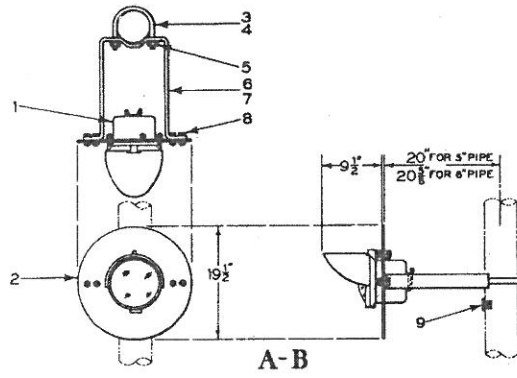
GENERAL RAILWAY SIGNAL COMPANY

FEB. 1937

TYPE "U" COLOR-POSITION-LIGHT UNITS

Drawing references are shown for convenience in checking shipping lists and invoices

Fig. No.	Name	Drawing Reference
Order by plate, figure number and name		
31	Lens, outer doublet, 30 degree spreadlite, 8 3/8" dia., for light units Figs. B to B ⁴ only.	43987-15
32	Sighting Strip, for light unit.	54203
33	Adjustable Sighting Plate, for sighting light units.	35845-15
34	Bracket, for lamp receptacle.	53170-2
35	Screw, No. 14-24 x 1 3/8" sq. hd., for clamping bracket Fig. 34 to stud Fig. 11.	350-2
36	Receptacle, only, for lamp receptacle.	34864-13
37	Plunger, for lamp receptacle.	53107-5
38	Spring, for plunger.	786-64
39	Block, for receptacle.	53091-2
40	Adjusting Nut, for receptacle.	54206



TYPE 'U' MARKER LIGHTS
FOR COLOR-POSITION-LIGHT SIGNALS

FEB. 1937

GENERAL RAILWAY SIGNAL COMPANY

TYPE "U" MARKER LIGHTS
FOR
COLOR-POSITION-LIGHT SIGNALS

NOTE: Marker Lights will be equipped with 13.5 volt, 17 watt lamps unless otherwise specified.

Drawing references are shown for convenience in checking shipping lists and invoices

Fig. No.	Name	Drawing Reference
Order by plate, figure number and name		
A	Type "U" Size 1, Marker Light Complete as shown, with bracket for attaching to 5" pipe. Light Unit is equipped with clear frosted inner and hot-spot outer lenses.	54350-1 Gr 1
A1	as above, except equipped with bracket for attaching to 6" pipe.	54350-1 Gr 2
B	Type "U" Size 1, Marker Light Complete, with bracket for attaching to 5" pipe. Light Unit is equipped with clear frosted inner and spredlite outer lenses.	54350-1 Gr 3
B1	as above, except equipped with bracket for attaching to 6" pipe.	54350-1 Gr 4
C	Type "U" Size 2, Marker Light Complete as shown, with brackets for attaching to 5" pipe. Both light units are equipped with clear frosted inner and hot-spot outer lenses.	54350-8 Gr 1
C1	as above, except equipped with brackets for attaching to 6" pipe.	54350-8 Gr 2
D	Type "U" Size 2, Marker Light Complete, with brackets for attaching to 5" pipe. Both light units are equipped with clear frosted inner and spredlite outer lenses.	54350-8 Gr 3
D1	as above, except equipped with brackets for attaching to 6" pipe.	54350-8 Gr 4
E	Type "U" Size 2, Marker Light Complete as shown, with brackets for attaching to 5" pipe. Light Unit in front of pole is equipped with clear frosted inner and hot-spot outer lenses and right hand light unit is equipped with yellow inner and hot-spot outer lenses.	54350-12 Gr 1

PLATE H3523

GENERAL RAILWAY SIGNAL COMPANY

FEB. 1937

TYPE "U" MARKER LIGHTS
FOR
COLOR-POSITION-LIGHT SIGNALS

Drawing references are shown for convenience in checking shipping lists and invoices

Fig. No.	Name	Drawing Reference
	Order by plate, figure number and name	
E1	as above, except equipped with brackets for attaching to 6" pipe.	54350-12 Gr. 2
F	Type "U" Size 2, Marker Light Complete, with brackets for attaching to 5" pipe. Light Unit in front of pole is equipped with clear inner and spreadlite outer lenses and right hand light unit is equipped with yellow inner and spreadlite outer lenses.	54350-12 Gr 3
F1	as above, except equipped with brackets for attaching to 6" pipe.	54350-12 Gr 4
G	Type "U" Size 3 Marker Light Complete, as shown, with brackets for attaching to 5" pipe. Light Units in center and on left are equipped with clear inner and hot-spot outer lenses, light unit on right is equipped with yellow inner and hot-spot outer lenses.	54350-13 Gr 1
G1	as above, except equipped with brackets for attaching to 6" pipe.	54350-13 Gr 2
H	Type "U" Size 3 Marker Light Complete, with brackets for attaching to 5" pipe. Light Units in center and on left are equipped with clear inner and spreadlite outer lenses light unit on right is equipped with yellow inner and spreadlite outer lenses.	54350-13 Gr 3
H1	as above, except equipped with brackets for attaching to 6" pipe.	54350-13 Gr 4
1	Light Unit Complete, for details and order references see Plate H 3519.	
2	Background Complete, 19 1/2" dia., with locking clip welded to background, for marker lights Figs. A and B.	54351-2 Gr 3
3	"U" Bolt only, 5/8"-11 thread, for 5" pipe.	16194-7
4	"U" Bolt only, 5/8"-11 thread, for 6" pipe.	16194

FEB. 1937

GENERAL RAILWAY SIGNAL COMPANY

TYPE "U" MARKER LIGHTS
FOR
COLOR-POSITION-LIGHT SIGNALS

Drawing references are shown for convenience in checking shipping lists and invoices

Fig. No.	Name	Drawing Reference
Order by plate, figure number and name		
5	Nut, 5/8"-11 x 5/8" hex., with lock washer, for "U" bolts Figs. 3 and 4.	{ 41993 0113
6	Bracket, only, for attaching light unit to 5" pipe.	40539-15
7	Bracket, only, for attaching light unit to 6" pipe.	40539-16
8	Tap Bolt, 1/2"-13 x 1 1/4" hex. hd., with hex. nut, for fastening light unit to brackets Figs. 6 or 7.	{ 0641-1 26747
9	Nipple, 1 1/2", for pipe.	39998
10	Angle Iron, support for light units.	54310-48
11	Background Complete, 19 1/2" dia., with locking clip welded to background, for marker lights Figs. C to H1.	54351-2 Gr 2
12	Tap Bolt, 1/2"-13 x 1 1/2" lg., with hex. nut for fastening brackets Figs. 13, 14, 15 and 16 to light unit.	{ 0551-1 26747
13	Bracket, upper, for supporting light units, for 5" pipe.	40539-17
14	Bracket, upper, for supporting light units, for 6" pipe.	40539-19
15	Bracket, lower, for supporting light units, for 5" pipe.	40539-18
16	Bracket, lower, for supporting light units, for 6" pipe.	40539-20
17	Background Complete, 19 1/2" dia., with locking clip welded to background, for marker lights Figs. C to H1.	54351-2 Gr 1
18	Tap Bolt, 1/2"-13 x 1" hex. hd., with hex. nut, for fastening lamp unit to angle iron and brackets.	{ 0391-1 26747

PLATE H3523

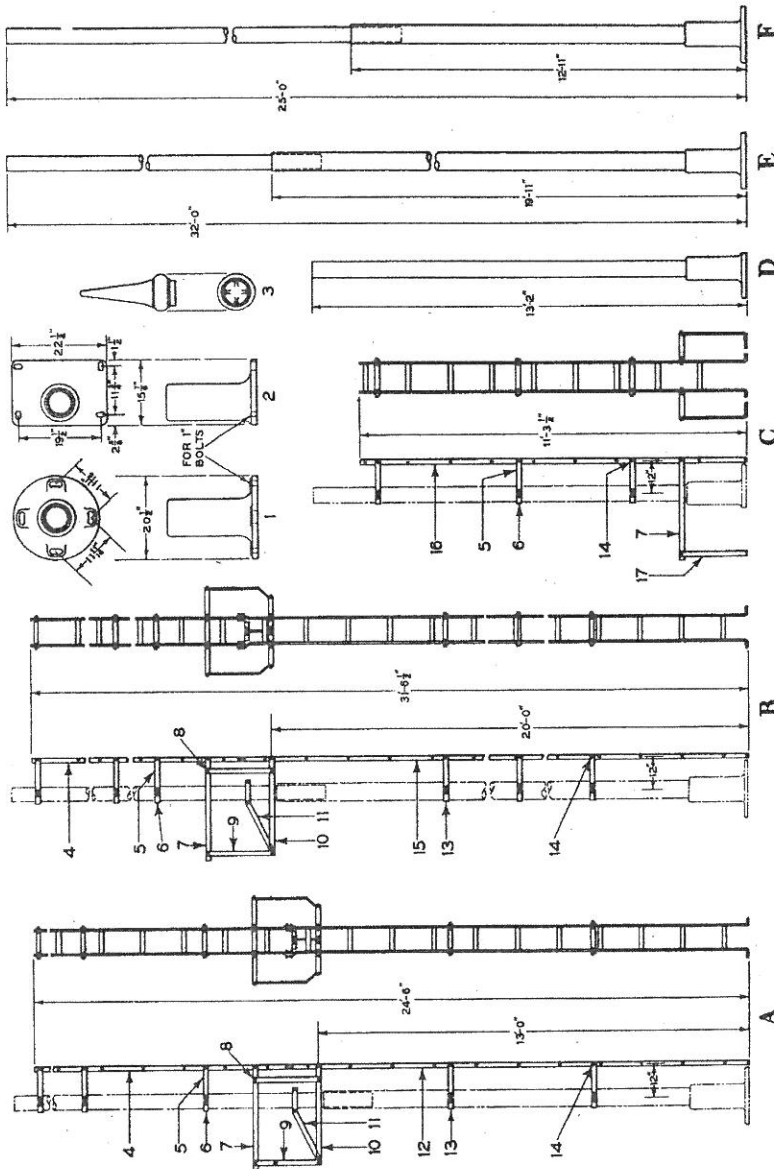
GENERAL RAILWAY SIGNAL COMPANY

FEB. 1937

TYPE "U" MARKER LIGHTS
FOR
COLOR-POSITION-LIGHT SIGNALS

Drawing references are shown for convenience in checking shipping lists and invoices

Fig. No.	Name	Drawing Reference
Order by plate, figure number and name		
19	Bracket, for supporting light units, for 5" pipe.	40539-49
20	Bracket, for supporting light unit, for 6" pipe.	40539-50
21	Angle Iron, for supporting light units.	54310-276



LADDERS, PINNACLE, POLES AND BASES
FOR COLOR-POSITION-LIGHT SIGNALS

PLATE H3525

FEB. 1937

GENERAL RAILWAY SIGNAL COMPANY

LADDERS, PINNACLE, POLES AND BASES
FOR
COLOR-POSITION-LIGHT SIGNALS

Drawing references are shown for convenience in checking shipping lists and invoices

Fig. No.	Name	Drawing Reference
Order by plate, figure number and name		
A	Ladder Complete, as shown, with platform and handrail, for use with standard height pole Fig. F.	307-9 Gr 1
B	Ladder Complete, as shown, with platform and handrail, for use with 32 ft. pole Fig. E.	307-11 Gr 1
C	Ladder Complete, as shown, with handrail, for use with bracket signal pole Fig. D.	307-8 Gr 1
D	Pole and Base Complete, consists of base Fig. 2, and 13' of 5" pipe.	48848-1 Gr 2
E	Pole and Base Complete, consists of base Fig. 1, 19'-9" of 6" pipe and 13'-9" of 5", swaged together as shown.	31495
F	Pole and Base Complete, consists of base Fig. 1, 12'-9" of 6" pipe and 13'-9" of 5" pipe, swaged together as shown.	48848-3 Gr 1
1	Base, only, for 6" pipe. (6 5/8" outside dia.)	21211
2	Base, only, for 5" pipe. (5 9/16" outside dia.)	31603
3	Pinnacle, as shown, for 5" pipe.	31602
4	Ladder Complete, top section, for ladders Figs. A and B.	312-30 Gr 3
5	Stay, for ladders Figs. A, B and C.	315-36
6	Clamp Complete, for fastening stay to 5" pipe.	317 Gr 1
7	Handrail, for ladders Figs. A, B and C.	314-35
8	Bolt, 1/2"-13 x 1 1/4" sq. hd., with sq. nut, for fastening brace to handrail.	077
9	Brace, for handrail Fig. 7.	319-46

PLATE H3525

GENERAL RAILWAY SIGNAL COMPANY

FEB. 1937

**LADDERS, PINNACLES, POLES AND BASES
FOR
COLOR-POSITION-LIGHT SIGNALS**

Drawing references are shown for convenience in checking shipping lists and invoices

Fig. No.	Name	Drawing Reference
	Order by plate, figure number and name	
10	Platform, for ladders Figs. A and B.	313-18 Gr 1
11	Brace, for platform.	319-44
12	Ladder Complete, bottom section, for ladder Fig. A.	312-9 Gr 23
13	Clamp Complete, for fastening stay to 6" pipe.	317 Gr 3
14	Bolt, 1/2"-13 x 1" sq. hd., with sq. nut, for fastening stay to ladder.	09
15	Ladder Complete, bottom section, for ladder Fig. B.	312-9 Gr 39
16	Ladder Complete, for ladder Fig. C.	312-31 Gr 2
17	Brace, for ladder Fig. C.	319-93