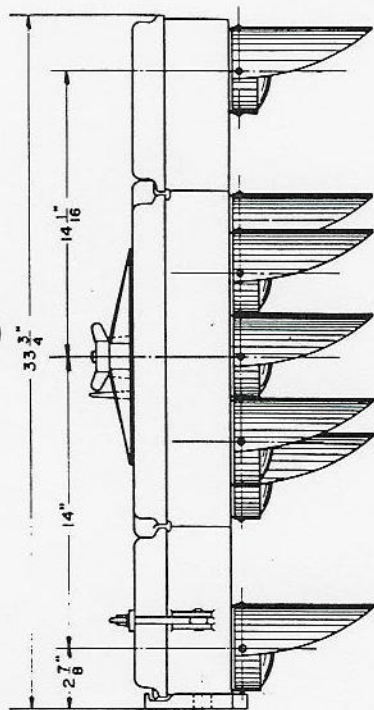
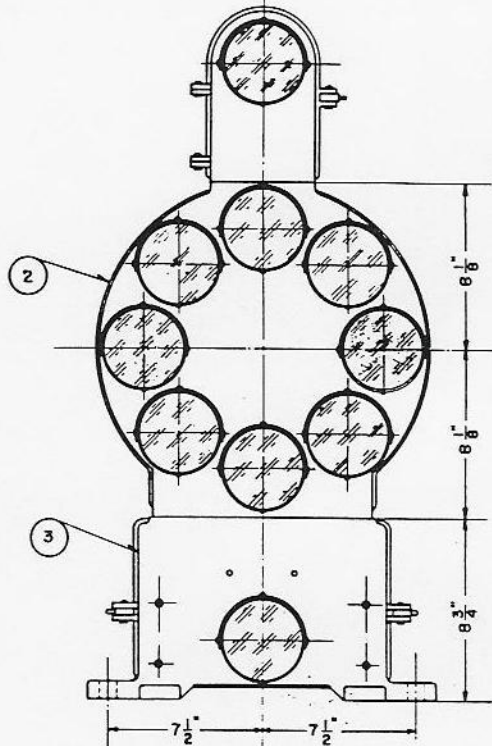


TYPE "VA" COLOR POSITION LIGHT DWARF SIGNAL ASSEMBLY - 1920

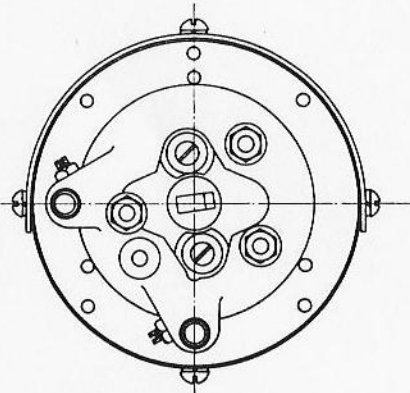
(Fig. A-1-6, Dwg. S-185-A shown)



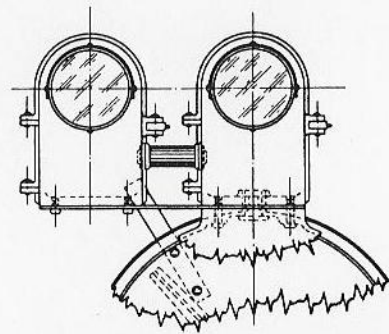
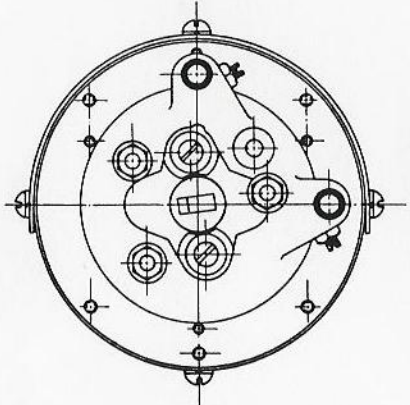
Office of Chief Engineer
Baltimore, Md.
May 22, 1953



BALTIMORE & OHIO RAILROAD
TYPE "VA" COLOR POSITION LIGHT
DWARF SIGNAL

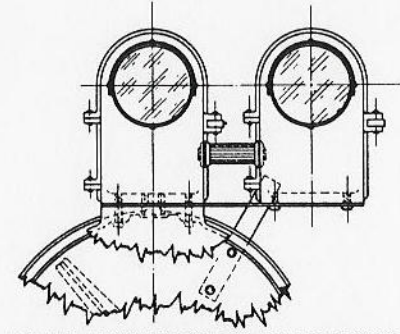


4" DOUBLET UNIT WITH FOCUS FINDER-1922
Hood & Roundel rotated 180°
Otherwise same as 1921.

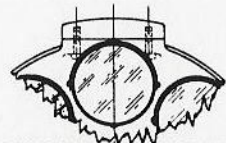


VIEW SHOWING METHOD OF ATTACHING
LEFT STAGGERED TOP MARKER

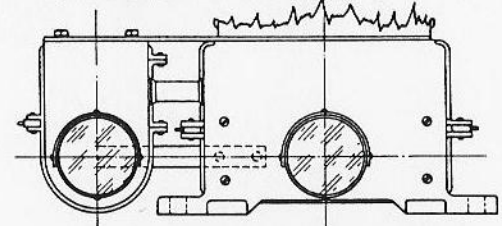
SECTION SHOWING
BLANKING DISC



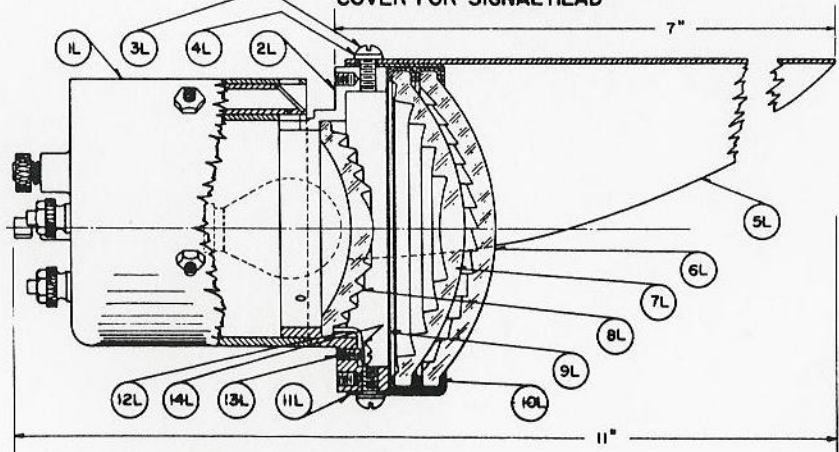
VIEW SHOWING METHOD OF ATTACHING
RIGHT STAGGERED TOP MARKER



VIEW SHOWING METHOD OF ATTACHING
COVER FOR SIGNAL HEAD



VIEW SHOWING METHOD OF ATTACHING
LEFT STAGGERED BOTTOM MARKER



4" DOUBLET UNIT WITH FOCUS FINDER-1921

Approved: *A. S. Hunt*
Chief Engr. Comm. & Sigs.

BALTIMORE & OHIO RAILROAD
TYPE "VA" COLOR POSITION LIGHT
DWARF SIGNAL

Office of Chief Engineer Comm. & Signals
Baltimore, Md.
May 22, 1953